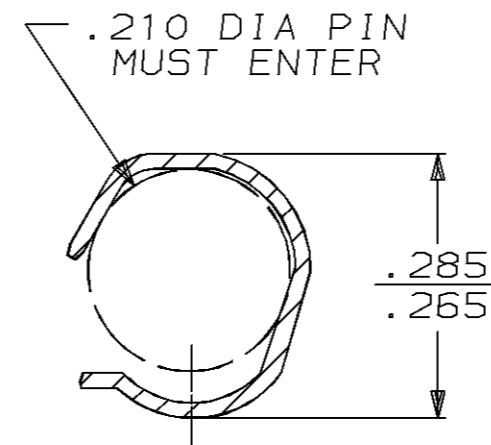
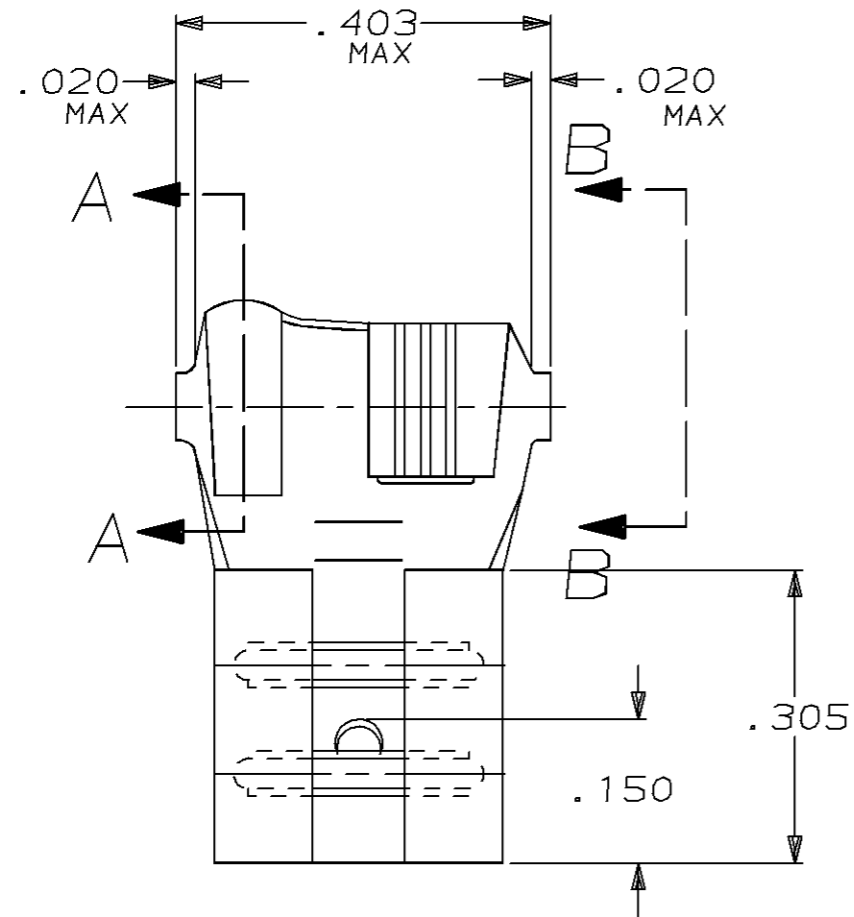
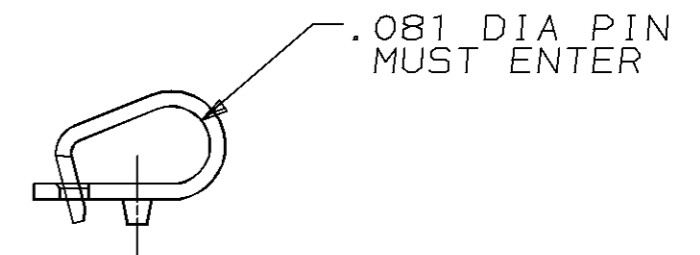


THIS DRAWING IS UNPUBLISHED. RELEASED FOR PUBLICATION, 19
 © COPYRIGHT 19 BY AMP INCORPORATED, HARRISBURG, PA. ALL INTERNATIONAL RIGHTS RESERVED. AMP PRODUCTS MAY BE COVERED BY U.S. AND FOREIGN PATENTS AND/OR PATENTS PENDING.

LOC	DIST	P	F	ZONE	LTR	DESCRIPTION	DATE	APPROVED
AF	50				A	ADDED NOTES 3 & 4 PER 0551-94	11/2/94	JR/PD



SECTION A-A



VIEW B-B

- 1 WIRE AND INSULATION BARRELS TO BE PREFORMED AS SHOWN IN CUT OFF OPERATION.
- 2 SUPPLIED IN LOOSE PIECE.
- 3 FOREIGN PRODUCTION ONLY.
- 4 MAKE FROM P/N 41800

2.79-5.33 [.110-.210]		0.8-3.0mm ² [18-12]		0.81 [.032]		42015	
INSULATION RANGE		WIRE SIZE		±0.025 [±.001] TAB THK		PART NO	
UNLESS OTHERWISE SPECIFIED DIMENSIONS ARE IN MM TOLERANCES ON: 2 PL DEC ± - 3 PL DEC ± 0.38 [.015] ANGLES ± -		DR 11/16/93 JR RUTH		AMP INCORPORATED Harrisburg, Pa. 17105			
		CHK 11/16/93 MS FEHER					
MATERIAL T3 PHOS BRZ		APPD 11/16/93 P DESANTIS		NAME RECEPTACLE, FASTON,™ FLAG, .250 SERIES			
		APPD 11/16/93 R REINER		SIZE B		FSCM NO 00779	
FINISH TIN		PRODUCT SPEC -		SCALE NTS		SHEET 1 OF 1	
		APPLICATION SPEC -					
		WEIGHT -					